



SWAY[®]
LOUNGE FURNITURE

PRICE LIST

EFFECTIVE NOVEMBER 1, 2023
800.424.2432



Ordering Customer's Own Material (C.O.M.) Upholstery	
Information	3

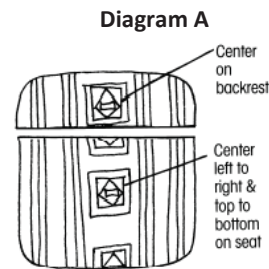
Sway®	
General Information	4
Product Color Options	6
Lobby and Lounge Seating	7
Replacements	10



How to Specify

As a standard procedure, KI applies seating upholstery as swatched by the textile distributor. Reference distributor's website. Upholstery that is required to be applied differently than is swatched, will need a Product Modification Request written specifying the direction the upholstery is to be applied.

Seating upholstery requiring specific positioning of intricate patterns or patterns repeats on seats and backrests, will need a Product Modification Request including a sketch noting the specific requirements, as in Diagram A.



When directional or patterned fabrics are used, they often require more yardage than solid colors.

C.O.M. must be supplied in continuous yardage.

C.O.M. yardage requirements accompanying products in the pricing section are for 10 chairs/seats or less, 54" wide nondirectional material. On larger orders, less material is required.

Leather hides must be a minimum of 50 square feet of usable material. The outer edges cannot be calculated as square feet or yardage. To determine square footage, multiply unit yardage by 18 square feet to obtain the total square footage required per unit.

For exact production yardage requirements, call 1-800-424-2432, ext. 2707.

Production

Customer's upholstery must be approved prior to acceptance for production.

After approval, a memo swatch of the C.O.M. from the textile distributor must accompany the order. KI assumes no responsibility for wear, defects, or performance of C.O.M. upholstery.

C.O.M. not received into the appropriate facility 3 weeks prior to acknowledged delivery date may go on hold. See KI C.O.M. Shipping Location listing for the correct facility address by product.

Testing

When KI requires testing, actual yardage to upholster one chair may be required. The C.O.M. Specialist will confirm model and fabric testing requirements when applicable.

Approved test samples will be applied to the order or will be held for 6 months. After 6 months, the sample will no longer be applied to your order. For all product testing, send fabric samples to the manufacturing facility. See KI C.O.M. Shipping Location listing for the correct facility address by product.

All C.O.M. must be labeled with the KI product order number and customer purchase order number.

Treated Materials

If C.O.M. requires processing such as a stain resistance treatment or acrylic backing, it may shrink. To prevent delays in delivery or back ordering due to shrinkage, please have your processor verify measurement after processing and assure adequate yardage shipped.

Split Orders

If a portion of the shipment which does not require C.O.M. application is to be processed and shipped early, KI will enter the order immediately at your request. These split shipments are subject to minimum order changes.

Excess Upholstery Material

KI will dispose of excess upholstery material at the time of shipment unless expressly requested to return it with the product shipment.

Cancelled or Changed Orders

KI assumes no responsibility for extra C.O.M. due to a change of upholstery or cancellation of an order. If it the customer's responsibility to arrange for return of the material.

Contact the C.O.M. Specialist at 1-800-424-2432, ext. 2707, with questions or to request a split order.

C.O.M. SHIPPING LOCATION

Architectural Walls	System 3000..... MN	Maestro Stack Chairs GB
Evoke..... MN	Universal Overheads..... MN	Medical & Laboratory Stools..... OM
Genius Walls..... MN	Wireworks MN	MyPlace Lounge Seating HN
	Unite..... MN	MyWay Seating..... HN
Casegoods		Oath Task Chairs and Stools..... GB
Aristotle Tackboards..... MN	Residence Hall Furniture	Opt4..... GB
Likha Tackboards..... MN	RoomScape Furniture MN	Pilot Task Chairs..... OM
		Promenade Seating System BW
Classroom Furniture	Screens	Ruckus..... GB
Intellect Wave Chairs..... GB	All Terrain..... KP	Sela Lounge Seating HN
Learn2 GB	Connection Zone..... BW	Sift Task Chairs GB
Ruckus..... GB	True/Volition KP	Signia Task Chairs and Stools OM
	Genesis..... KP	Soltice Metal Collection..... HN
Desking	Tattoo..... MN	Soltice Multiple, Healthcare & Guest . HN
700 Series Desking KP	Universal..... BW	Soltice II Healthcare Seating..... HN
Balance Overheads MN		Strive Multiple, Stack & Task GB
Genesis Desking..... MN	Seating	Sway BW
True Desking..... KP	400 Series Folding Chairs..... BW	Tattoo..... HN
Universal Overheads..... MN	600 Series Folding Chairs..... BW	Torsion-on-the-Go! Nesting Chairs GB
WorkZone Desking MN	600 Series Stools..... BW	Torsion Air Stack and Task Seating GB
	Affina Collection..... HN	Zoetry HN
Files & Storage	Altus Task Chairs..... GB	
700 Series Pedestal Cushion GB	Apply Stack Chairs GB	
Connection Zone Pads..... BW	Calida Lounge Seating HN	
U-Series Pedestal Cushion..... GB	Diem Task Chairs..... OM	
Tattoo..... BW	Doni Collection..... GB	
	Gladly Lounge Seating VQ	
Fixed Seating	Grazie Seating GB	
Concerto Auditorium Seating..... BW	Hub Modular Lounge Seating HN	
Single Pedestal Seating GB	Impress Task Chairs..... OM	
Jury Base Seating..... GB	Impress Ultra Task Chairs OM	
Lancaster Auditorium Seating BW	Jessa Lounge Seating HN	
Sequence Seating..... GB	Jubilee Lounge Seating..... VQ	
University Seating..... GB	Katera Guest Chair..... GB	
	Kurv Benches..... HN	
Panel Systems	LaResta Day Beds HN	
All Terrain..... KP	LimeLite GB	
Balance Overheads MN	Lyra Lounge Seating..... HN	

KI C.O.M. Manufacturing Site Addresses:

<u>BW</u> KI Bonduel Attn: COM Storage 204 West South St. Bonduel, WI 54107	<u>HN</u> KI High Point Attn: COM Storage 217 Feld Avenue High Point, NC 27263	<u>MN</u> KI Manitowoc Attn: COM Storage 1400 S. 41st St. Manitowoc, WI 54220	<u>VQ</u> KI Attn: COM Fabrics 6892 Marlin Circle La Palma, CA 90623
<u>GB</u> KI Green Bay Attn: COM Storage 1687 Westminster Drive - Gate 3 Green Bay, WI 54302	<u>KP</u> KI Pembroke Attn: COM Storage 1000 Olympic Dr. Pembroke, Ontario K8A6X7	<u>OM</u> KI Attn: COM Storage 1110 S. Mildred Ave. Ontario, CA 91761	



Lounge Chair
(SYCNC and SYCFC)



Ottoman
(SYOT)



Table
(SYTB)

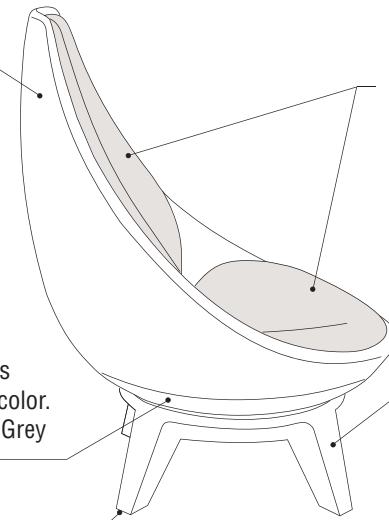
General Dimensions			
Seat width	27-3/4"		
Seat depth	18-1/2"		
Seat height	16"		
Overall Dimensions			
Width	33"		
Depth	32-1/2"		
Height	41-3/4"	17-1/2"	14-1/2"
Diameter		27-1/4"	27"
Unit weight	66 lbs	43-1/2 lbs	63 lbs

Seat shell is constructed of rotationally molded polyethylene. Available in three standard colors.

- Arctic White (SAW)
- Cool Grey (SCG)
- Granite Grey (SGY)

12-gauge steel rotating contact surface is attached to the bottom of the seat shell and is powder-coat painted to match the seat shell color. Contact surface is powder-coat painted Blue Grey if Granite Grey poly is specified.

Floor glide options to accommodate any floor type. Available in nylon, felt and non-skid rubber.



Upholstered seat and back have a contoured shape to maximize comfort and are field replaceable. (Optional contrasting seat and back upholstery available)

4-leg base is constructed of rotationally molded polyethylene. Available in three standard colors.

- Arctic White (BAW)
- Cool Grey (BCG)
- Granite Grey (BGY)

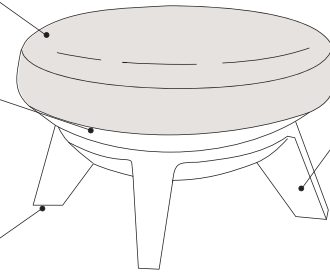
INFORMATION

Warranty
Refer to KI Terms & Conditions document or visit ki.com

Upholstered cushion has a contoured shape to maximize comfort and is field replaceable.

12-gauge steel apron is powder-coat painted to match the 4-leg base. Steel apron is powder-coat painted Blue Grey if Granite Grey poly is specified.

Floor glide options to accommodate any floor type. Available in nylon, felt and non-skid rubber.



4-leg base is constructed of rotationally molded polyethylene. Available in three standard colors.



Optional Power Module has one AC power outlet, one USB A charging port and one USB C charging port. Available in three colors.



12-gauge steel apron is powder-coat painted to match the 4-leg base. Steel apron is powder-coat painted Blue Grey if Granite Grey poly is specified.

Floor glide options to accommodate any floor type. Available in nylon, felt and non-skid rubber.

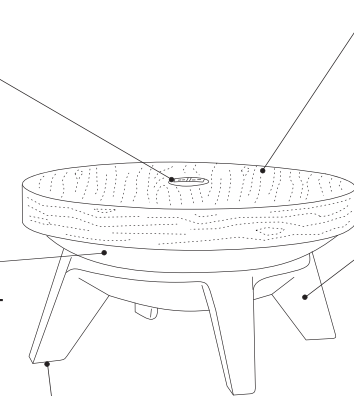


Table top has high pressure laminate overlaying the sides and top of a particle board structure. See product color options page for standard laminate finishes.

4-leg base is constructed of rotationally molded polyethylene. Available in three standard colors.



Shell/Base Color - Polypropylene

Flame-Retardant and Non Flame-Retardant

Arctic White	SAW
Cool Grey	SCG
Granite Grey	SGY

Surface Finish - Laminate

Beigewood	LBZ
Belair	LBQ
Biltmore Cherry	LBT
Black	LBK
Brighton Walnut	LBW
Canyon Zephyr	LCA
Castle Oak	LCO
Casual Linen	LCU
Cherry Storm	LCX
Classic Linen	LCI
Cloud Zephyr	LCL
Cocobala	LCC
Crisp Linen	LRI
Desert Zephyr	LDZ
Designer White	LDR
Dove Grey	LDG
Flax Linen	LXF
Florence Walnut	LFC
Forged Steel	LOL
Friston Ash	LFH
Frosty White	LFW
Graphite Nebula	LGN
Grey	LGE
High Rise	LHE
Hollyberry	LHY
Island	LID
Italian Silver Ash	LIT
Kensington Maple	LKM
Lapis Blue	LLB
Markerboard White	LMK
Misted Zephyr	LMR
Monticello Maple	LMT
North Sea	LNA
Ocean	LON
Pearl Bisque	LPB
Pinnacle Walnut	LPW
Pressed Linen	LPR
River Cherry	LRY
Satin Stainless	LSS
Shadow Zephyr	LSR
Silicon evolv	LSV
Sterling Ash	LAZ
Tailored Linen	LTL
Titanium evolv	LTV
White Nebula	LWL
White Sand	LWN
Windsor Mahogany	LWY

Finish Cards

View color swatches for items listed within this document.

Paints

Wood/Veneer

Molded Edges

Hard Plastics

Plastics/Poly

Laminates

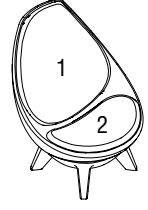
Edge Styles

Glass

Certain options referenced may not be available on GSA Schedule.



MODEL	Features	MODEL NUMBER							Approx. Packaged Weight	Delivered Pricing Fabric Grade 1 & C.O.M.	Delivered Pricing Fabric Grade 2	Delivered Pricing Fabric Grade 3	Delivered Pricing C.O.V.	Delivered Pricing Vinyl Group 2V	Delivered Pricing Pallas Fabric Group P0	Delivered Pricing Pallas Fabric Group P1	Delivered Pricing Pallas Fabric Group P2	Delivered Pricing Pallas Fabric Group P3	Delivered Pricing Pallas Fabric Group P4	TB133 add to list price		
		Basic Model	Poly Shell Color	Poly Base Color	Glide Option	Fire Code	Non-Contrast or Fabric Contrast 1	Fabric Contrast 2														
Lounge Chair • Non-contrast C.O.M = 2 yd • 1 = Back (Fabric Contrast 1) C.O.M. = 1.25 yd • 2 = Seat (Fabric Contrast 2) C.O.M. = .75 yd • W=33" D=32-1/2" H=41-3/4"	Non-contrast	SYCNC	<input type="checkbox"/>	<input type="checkbox"/>	<input type="checkbox"/>	<input type="checkbox"/>	77.0#	\$ 2234	\$ 2365	\$ 2396	\$ 2234	\$ 2396	\$ 2466	\$ 2536	\$ 2605	\$ 2659	\$ 2741	\$ 246				
	Contrast	SYCFC	<input type="checkbox"/>	<input type="checkbox"/>	<input type="checkbox"/>	<input type="checkbox"/>	77.0#	2306	2436	2469	2306	2469	2538	2609	2679	2731	2814	246				



SYCNC
SYCFC

HOW TO ORDER

- Indicate the following information on order form:
- Quantity of each item.
 - Model number, including options. See "How To Build a Model Number".
 - Any special service required.

Note:

- The indicates that a choice is required.
- The absence of the indicates that no choice is required.
- Alpha-numeric characters in place of indicate that no other alternatives are available.

HOW TO BUILD A MODEL NUMBER

- A**Select basic model.
- B**Select poly shell color.
Refer to the **Product Color Options** page in this price list.
- C**Select poly base color.
Refer to the **Product Color Options** page in this price list.
- D**Select glide option.

GFT	- Felt glides
GND	- Non-skid glides
GNV	- Nylon glides
- E**Select fire code.

NFR	- Compliance to TB 117-2013
FR	- Compliance to TB 133

 See pricing column for TB133 upcharge.
- F**Select non-contrast or fabric contrast 1.
Refer to ki.com/fabrics

GSelect fabric contrast 2.
Refer to ki.com/fabrics


SPECIAL SERVICES

Special Carton Marking
With specially marked information N/C

Shipping
Ships **assembled, FOB Bondue1, WI 54107, freight prepaid.** Freight class 250.

Specifications and prices are subject to change without prior notice.



MODEL	MODEL NUMBER					Approx. Packaged Weight	Delivered Pricing Fabric Grade 1 & C.O.M.	Delivered Pricing Fabric Grade 2	Delivered Pricing Fabric Grade 3	Delivered Pricing C.O.V.	Delivered Pricing Vinyl Group 2V	Delivered Pricing Pallas Fabric Group P0	Delivered Pricing Pallas Fabric Group P1	Delivered Pricing Pallas Fabric Group P2	Delivered Pricing Pallas Fabric Group P3	Delivered Pricing Pallas Fabric Group P4	TB133 add to list price
	Basic Model	Poly Base Color	Glide Option	Fire Code	Non-Contrast or Fabric Contrast 1												
 Ottoman • Non-contrast C.O.M = 1.1 yd • Dia=27-1/4" H=17-1/2"	SYOT	<input type="checkbox"/>	<input type="checkbox"/>	<input type="checkbox"/>	<input type="checkbox"/>	49.0#	\$ 1364	\$ 1432	\$ 1452	\$ 1364	\$ 1452	\$ 1490	\$ 1529	\$ 1566	\$ 1596	\$ 1643	\$ 157

A **B** **C** **D** **E**

HOW TO ORDER

- Indicate the following information on order form:
- Quantity of each item.
 - Model number, including options. See "How To Build a Model Number".
 - Any special service required.

Note:

- The indicates that a choice is required.
- The absence of the indicates that no choice is required.
- Alpha-numeric characters in place of indicate that no other alternatives are available.

HOW TO BUILD A MODEL NUMBER

- A** Select basic model.
- B** Select poly base color. Refer to the **Product Color Options** page in this price list.
- C** Select glide option.

GFT	- Felt glides
GND	- Non-skid glides
GNV	- Nylon glides
- D** Select fire code.

NFR	- Compliance to TB 117-2013
FR	- Compliance to TB 133

 See pricing column for TB133 upcharge.
- E** Select non-contrast or fabric contrast 1. Refer to ki.com/fabrics

SPECIAL SERVICES

Special Carton Marking

With specially marked information N/C

Shipping

Ships **assembled, FOB Bondue1, WI 54107, freight prepaid.** Freight class 250.

Specifications and prices are subject to change without prior notice.

MODEL	DIA x H	MODEL NUMBER					Approx. Packaged Weight	Delivered Pricing
		Basic Model	Power Option	Poly Base Color	Glide Option	Laminate Color		
Table	27" x 14-1/2"	SYTB	<input type="checkbox"/> <input type="checkbox"/> <input type="checkbox"/> <input type="checkbox"/>	<input type="checkbox"/> <input type="checkbox"/>	<input type="checkbox"/> <input type="checkbox"/>	<input type="checkbox"/> <input type="checkbox"/>	66.0#	\$ 1992



SYTB

A **B** **C** **D** **E**

HOW TO ORDER

Indicate the following information on order form:

- Quantity of each item.
- Model number, including options. See "How To Build a Model Number".
- Any special service required.

Note: • The indicates that a choice is required.

- The absence of the indicates that no choice is required.
- Alpha-numeric characters in place of indicate that no other alternatives are available.

HOW TO BUILD A MODEL NUMBER

- A** Select basic model.
- B** Select power option.
- | | |
|-------------|----------------------------------|
| NP | - No power |
| WPBL | - Black power module; add \$413 |
| WPSL | - Silver power module; add \$413 |
| WPWH | - White power module; add \$413 |
- C** Select poly base color.
Refer to the **Product Color Options** page in this price list.
- D** Select glide option.
- | | |
|------------|-------------------|
| GFT | - Felt glides |
| GND | - Non-skid glides |
| GNY | - Nylon glides |
- E** Select laminate color.
Refer to the **Product Color Options** page in this price list.

SPECIAL SERVICES

Special Carton Marking

With specially marked information N/C

Shipping

Ships **assembled, FOB Bondue1, WI 54107, freight prepaid.** Freight class 250.

Specifications and prices are subject to change without prior notice.



MODEL	MODEL NUMBER			Approx. Packaged Weight	Delivered Pricing Unupholstered	Delivered Pricing Fabric Grade 1 & C.O.M.	Delivered Pricing Fabric Grade 2	Delivered Pricing Fabric Grade 3	Delivered Pricing C.O.V.	Delivered Pricing Vinyl Group 2V	Delivered Pricing Pallas Fabric Group P0	Delivered Pricing Pallas Fabric Group P1	Delivered Pricing Pallas Fabric Group P2	Delivered Pricing Pallas Fabric Group P3	Delivered Pricing Pallas Fabric Group P4	TB133 add to list price	
	Basic Model	Fire Code	Non-Contrast or Fabric Contrast 1														
SYRP	Replacement Upholstered Seat Cushion	SYUSRP	<input type="checkbox"/> <input type="checkbox"/> <input type="checkbox"/>	<input type="checkbox"/> <input type="checkbox"/> <input type="checkbox"/> <input type="checkbox"/>	9.0#	N/A	\$ 351	\$ 435	\$ 452	\$ 351	\$ 452	\$ 496	\$ 542	\$ 584	\$ 617	\$ 670	\$ 67
	• Non-contrast C.O.M = .75 yd																
SYRP	Replacement Upholstered Back Cushion	SYUBRP	<input type="checkbox"/> <input type="checkbox"/> <input type="checkbox"/>	<input type="checkbox"/> <input type="checkbox"/> <input type="checkbox"/> <input type="checkbox"/>	12.0#	N/A	\$ 288	\$ 337	\$ 348	\$ 288	\$ 348	\$ 376	\$ 402	\$ 429	\$ 446	\$ 479	\$ 67
	• Non-contrast C.O.M = 1.25 yd																
SYRP	Replacement Upholstered Ottoman Cushion	SYUORP	<input type="checkbox"/> <input type="checkbox"/> <input type="checkbox"/>	<input type="checkbox"/> <input type="checkbox"/> <input type="checkbox"/> <input type="checkbox"/>	32.0#	N/A	\$ 535	\$ 608	\$ 625	\$ 535	\$ 625	\$ 664	\$ 701	\$ 739	\$ 768	\$ 816	\$ 81
	• Non-contrast C.O.M = 1.1 yd																
HRDPT	Replacement Felt Glides Kit (Qty 4)	SWYGLIDEKIT.GFT			1.0#	\$ 22											N/A
HRDPT	Replacement Nylon Glides Kit (Qty 4)	SWYGLIDEKIT.GNY			1.0#	\$ 22											N/A
HRDPT	Replacement Non-Skid Rubber Glides Kit (Qty 4)	SWYGLIDEKIT.GND			1.0#	\$ 22											N/A
HRDPT	Replacement Posts Kit (Qty 12)	SWYPOSTKIT			1.0#	\$ 72											N/A
HRDPT	Replacement Return Spring	46.4174			2.0#	\$ 72											N/A

A **B** **C**

HOW TO ORDER

Indicate the following information on order form:
 1. Quantity of each item.
 2. Model number, including options. See "How To Build a Model Number".
 3. Any special service required.

Note: • The indicates that a choice is required.
 • The absence of the indicates that no choice is required.
 • Alpha-numeric characters in place of indicate that no other alternatives are available.

HOW TO BUILD A MODEL NUMBER

- A** Select basic model.
- B** Select fire code.
 NFR - Compliance to TB 117-2013
 FR - Compliance to TB 133
 See pricing column for TB133 upcharge.
- C** Select non-contrast or fabric contrast 1.
 Refer to ki.com/fabrics



1330 BELLEVUE STREET
GREEN BAY, WI 54302
800.424.2432 / KI.COM

KI is a trusted expert for furniture and wall systems around the globe.
USA | CANADA | MEXICO | UK | EUROPE | ASIA | MIDDLE EAST
© 2023 Krueger International, Inc. All Rights Reserved.